

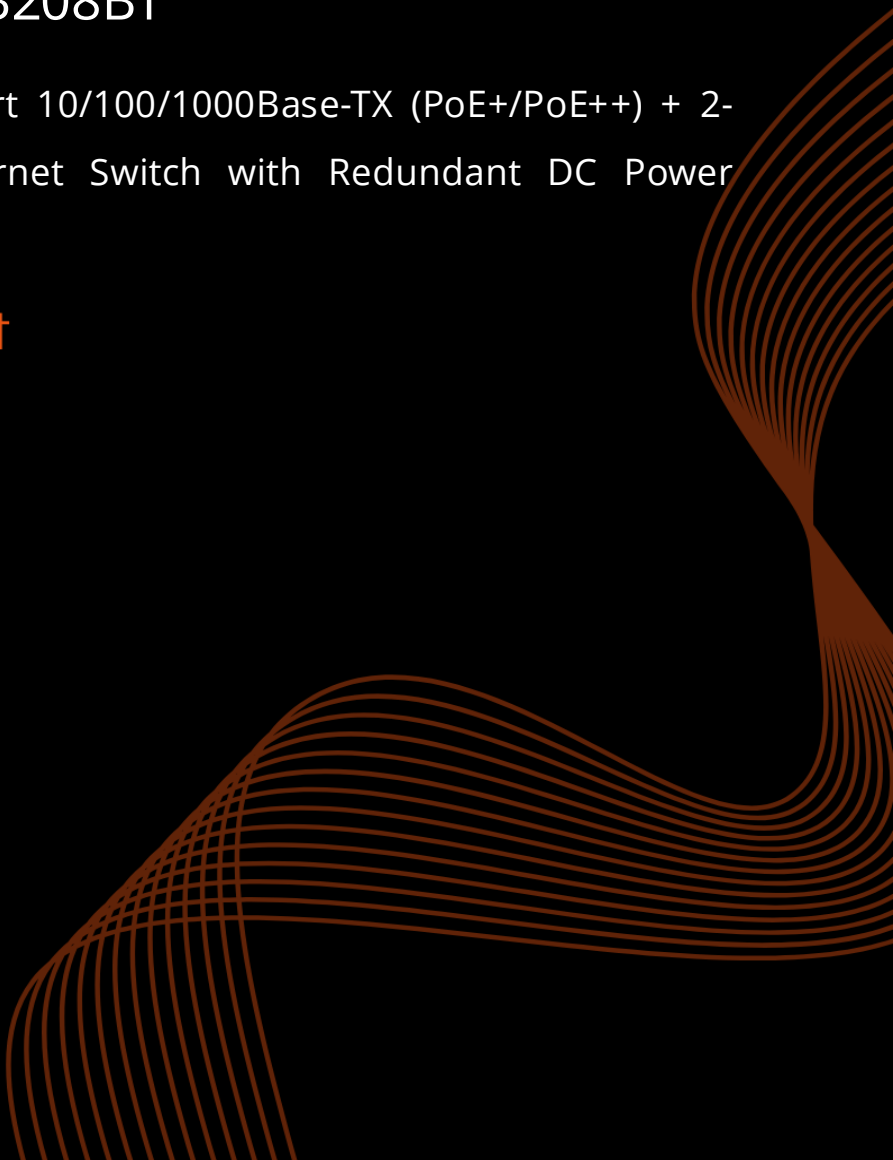


L2+ Managed Ethernet Switches

FR-7M3208P • FR-7M3208BT

Industrial L2+ Managed 8-port 10/100/1000Base-TX (PoE+/PoE++) + 2-port 100/1000Base-SFP Ethernet Switch with Redundant DC Power Inputs

Product Data Sheet



# FR-7M3208P • FR-7M3208BT



## Main Features

- 8x10/100/1000BASE-T Gigabit Ethernet RJ45
- 2x100/1000BASE-X SFP ports for SFP Type auto detection
- Optionally support IEEE 802.3 af/at/bt Power Over Ethernet Standard
- Full gigabit L2+ management, easy to manage the network by CLI/WebGUI/NMS.
- Build up a redundant industrial network with STP/RSTP/MSTP/ERPSv2
- Port-based VLAN, IEEE 802.1Q VLAN, and GVRP to ease network planning
- Traffic Classification Based on IEEE 802.1p, CoS, WRR, and Strict Mode
- SNMPv1/v2c/v3 for different levels of network management
- Wide operating temperature range -40 to 75°C (-40 to 167°F)
- All-aluminum Case, Compact and Fanless Design

## Overview

Experience unparalleled performance with the Layer 2+ Managed Industrial Ethernet Switch, designed specifically for demanding industrial environments. Engineered for exceptional stability and reliability, this switch ensures seamless Ethernet transmission in factories, outdoor settings, and harsh conditions. Its robust construction withstands the rigors of industrial applications while delivering advanced management features that facilitate optimal network control. Elevate your operational efficiency and safeguard your critical data communications with a solution that has consistently proven its mettle across various sectors. Invest in enduring quality—choose the Layer 2+ Plus Managed Industrial Ethernet Switch for your networking needs.

Engineered for reliability in the most demanding industrial environments, the Layer 2+ Managed Industrial Ethernet Switch seamlessly integrates dual power input design to ensure uninterrupted connectivity. Enclosed in a rugged IP40-rated housing that can be easily mounted on DIN rails or walls, it excels in harsh settings where durability and uptime are critical. With its exceptional operating temperature range of -40 to 75°C, this switch is built to withstand extreme conditions.

## Hardware Specifications

Product	FR-7M3208P	FR-7M3208BT
Standards	IEEE 802.1p, IEEE 802.1Q, IEEE 802.3z, IEEE802.3ad, and IEEE 802.1x	
Copper Ports	8x10/100/1000BASE-T RJ45 Auto-MDI/MDI-X (Port 1-8)	
Fiber Ports	Default: 2x100/1000BASE-X SFP Slots (Port 9 and Port 10)	
Console	1x RJ45-to-RS232 Serial Port(115200)	
Connector	1 removable 6-contact terminal blocks Pin 1/2 for Power 1, Pin 3/4 for Power 2, Pin 5/6 for fault alarm	
Alarm	One relay output for power failure, Alarm relay current carry ability: 1A@24V DC	
RAM	128Mbyte	
FLASH	32MByte	
Reset Button	<5 sec: System Reboot; >10 sec: Factory Default	
Surge Protection	±6kV DC, ±6kV RJ45	
Enclosure	IP40 aluminum case	
Installation	DIN-Rail and Wall-mount	
Dimension	138 x 108 x 49mm	
Weight	660g(Bare weight), 860g(With package)	

## Switching

Switch Architecture	Store-and-Forward
Switch Fabric	36Gbps/non-blocking
Forwarding Rate	11.9Mpps(64-byte packet size)
Packet Buffer Size	4 Mbits
Maximum Packet Length	10K bytes
MAC Address Table	8K entries, automatic source address learning and aging
Flow Control	IEEE 802.3x pause frame for full duplex, Back pressure for half duplex

## PoE & Power Supply

PoE Ports	Port 1 to 8 IEEE802.3 af/at	Port 1 to 8 IEEE802.3 af/at/bt
PoE Power Supply Type	End-span	End-span
Power Supply Pin	1/2(+), 3/6(-)	1/2(+), 3/6(-) or 4/5(+), 7/8(-)
Max Power Per Port	30W	90W
Input Voltage	DC48-56V	DC52-56V
Power Consumption	10 Watts Max (without PoE load)	
PoE Power Budget	Max 480W@dual 52VDC inputs	Max 480W@dual 52VDC inputs

## Environmental

Operating Temperature	-40°C~75°C (-40 to 167 °F)
Storage Temperature	-40°C~85°C (-40 to 185 °F)
Operating Humidity	5%~95% (non-condensing)
MTBF	907,476 hours @ Telcordia SR-332 Standard
Heat Dissipation	34 BTU/h (non-PoE mode) 853 BTU/h (with 240W PoE load)

Cooling	Passive Cooling, Fanless Design
Noise Level	0 dBA
<b>Software Features</b>	
Port Configuration	Port(Admin Status) disable/enable Copper Port: Auto-negotiation 10/100/1000Mbps full and half duplex mode selection Fiber Port: 100M/1000M speed selection Flow Control disable/enable Power saving(EEE) disable/enable Each port description
Port Status	Display each ports' speed duplex mode, link status, flow control status, auto negotiation status, Fiber Port Information, Port Traffic
Port Mirroring	Source Ingress/ Egress Port/ Both, Many-to-1 monitor
VLAN	Up to 4K VLAN groups, out of 4094 VLAN IDs IEEE 802.1Q tag-based VLAN IEEE 802.1AD Q-in-Q tunneling(Double VLAN) GVRP(Generic VLAN Registration Protocol)
Link Aggregation	IEEE 802.3ad LACP/Static trunk Supports 6 trunk groups with 4 ports per trunk
Spanning Tree Protocol	IEEE 802.1D Spanning Tree Protocol IEEE 802.1w Rapid Spanning Tree Protocol IEEE 802.1s Multiple Spanning Tree Protocol
Multicast	Dynamic/Static Multicast groups IGMP Snooping v1,2,3 Port-based IGMP Snooping Fast Leave GMP Querier
Rate Limitation	Per Port Rate Limitation Ingress: 16-1000000 kbps/Egress: 16-1000000 kbps
Ring	ITU-T G.8032 ERPS, Recovery time<10ms
QoS	Traffic classification based, strict priority and WRR 8-level priority for switching -Port number -802.1p priority -802.1Q VLAN tag -DSCP/TOS field in IP Packet
ACL	IP-based ACL/MAC-based ACL ACL based on: -MAC Address -IP Address -Ethertype -Protocol Type -VLAN ID -DSCP -802.1p Priority
Security	Port Security Static MAC address IEEE 802.1x port-based network access control RADIUS authentication DHCP Snooping, DHCP option 82
<b>PoE Management Functions</b>	
PoE System Management	PoE Port status monitoring Total PoE power budget control PoE usage threshold and temperature threshold PoE port Priority PoE mode(PoE/PoE+/PoE++) PD reboot(Zero Traffic Duration)
PoE Schedule	Absolute/Periodic Mode

## Software Features

### Layer 3 Functions

IP Interfaces	Max. 8 VLAN interfaces
Routing Table	Max.32 routing entries
Routing	IPv4 software static routing

### Management

Basic Management Interface	Console; Telnet; Web browser; SNMPv1/v2c
Secure Management Interface	SSHv2, TLSv1.2, SNMPv3
System Management	Firmware Upgrade by HTTP protocol through Ethernet network Configuration upload/download through HTTP Remote syslog, System log LLDP protocol, SNTp PREVIEW NMS Alarm(Relay, Led, Temperature, Trap, Power)

LED	State	Description
<b>PWR (P1&amp;P2)</b>	ON	Power is being supplied
	OFF	Power is not being Supplied.
<b>RUN</b>	Blinking	The system is running well
<b>Link/ACT (1-8)</b>	ON	Port connection is active
	Blinking	Data transmitted
	OFF	Port connection is not active
<b>ALM</b>	ON	Has alarm information
	OFF	No alarm information

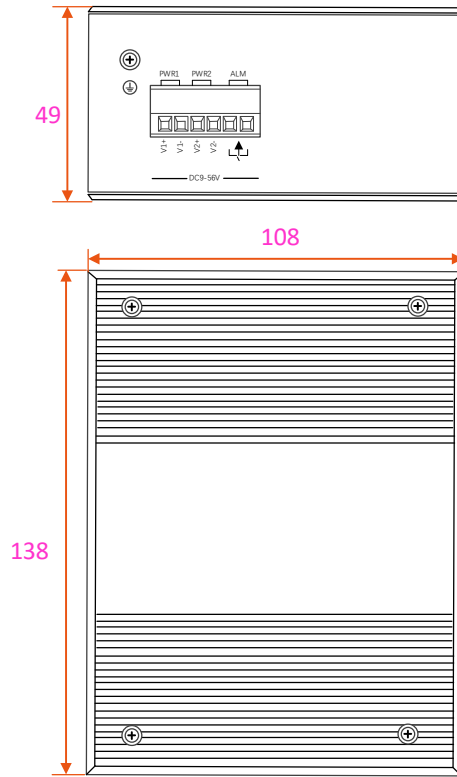
## Regulatory & Warranty

ISO	Manufactured in ISO-9001 facility
Safety	IEC62368-1:2020+A11:2020
EMI	FCC Part 15B Class A, IEC 61000-3-2
EMS	IEC61000-4-2 ESD: Contact:±8kV, Air:±15kV IEC61000-4-5 Surge: Power: ±6kV; RJ45:±4kV/±6kV(PoE)
Shock	IEC 60068-2-27
Free Fall	IEC 60068-2-32
Vibration	IEC 60068-2-6
Environmental	RoHS 2011/65/EU Annex II(EU)
Warranty	5 Years, Details See: <a href="https://fiberroad.com/warranty">https://fiberroad.com/warranty</a>

## Package Contents

Device	1 x Industrial Ethernet Switch
Cable	1 x DB9 female to RJ45
Installation Kit	1 x DIN-Rail Clip
Documentation	1 x Quick installation guide 1 x Warranty card

**Dimensions Unit: mm**



**Ordering Information**

Available Model	Description	Input Voltage	Operating Temp.
FR-7M3208P	Industrial L2+ Managed 8-port 10/100/1000Base-TX (PoE+) + 2-port 100/1000Base-SFP Ethernet Switch with Redundant DC Power Inputs	Dual DC9-56V	-40 to +75°C
FR-7M3208BT	Industrial L2+ Managed 8-port 10/100/1000Base-TX (PoE++) + 2-port 100/1000Base-SFP Ethernet Switch with Redundant DC Power Inputs	Dual DC9-56V	-40 to +75°C

**Optional Accessories (to be purchased separately)**

Power Supply	
FR-I-60-24	DIN-rail 24 VDC power supply with 60W/0.6A, 85 to 264 VAC, or 120 to 370 VDC input, -20 to 70°C operating temperature
FR-I-120-48	DIN-rail 48-58V VDC power supply with 120W/1.2A, , 85 to 264 VAC, or 120 to 370 VDC input, -20 to 70°C operating temperature
FR-I-240W-48	DIN-rail 48-55V VDC power supply with 240W/2A, , 85 to 264 VAC, or 120 to 370 VDC input, -20 to 70°C operating temperature
FR-I-480W-48	DIN-rail 48-55V VDC power supply with 480W/4A, , 85 to 264 VAC, or 120 to 370 VDC input, -20 to 70°C operating temperature

**SFP Optical Transceiver**

(S)=SFP Option

Please select your SFP on our SFP Modules page for details.

**Armored Fiber Patch Cable / LAN Cable**

FRPC-A-LC

Armored LSZH LC UPC to LC UPC Duplex OS2 single mode 7.0mm for Outdoor Application , 1 -50m

FRLC-A-CAT6

Armored Cat6 Snagless shielded(S/FTP) Ethernet Network Patch Cable, 26AWG, 1000Base-T, 0.5m – 3m

**Shipping**

Model No.	FR-7M3208P/FR-7M3208BT
Classification Codes	HS Code: 851762
	HTS: 8517.62.00
NDAA Compliant	Yes
Individual Gross Weight	0.86kg
Individual Package Dimension	201x171x73mm
Package Quantity	20 Units
Package Gross Weight	17.2kg
Package Dimension	422x385x375mm

**Precautions**

To prevent equipment damage or personal injury caused by improper operation, please observe the following precautions:

- ❖ Turn off the power before installation. Wear an anti-static wrist strap and ensure proper skin contact to prevent electrostatic discharge (ESD) damage.
- ❖ Ensure the power supply voltage matches the voltage specified on the switch.
- ❖ Before powering on the switch, verify that the power circuit is not overloaded to avoid abnormal operation or equipment damage.
- ❖ Do not open the chassis while the switch is operating. To avoid the risk of electric shock, do not disassemble the device.
- ❖ Disconnect the power before cleaning. Do not use a wet cloth or liquid cleaners.
- ❖ When installing in a rack, mount equipment from bottom to top to prevent overloading.
- ❖ Do not place heavy objects on the switch.

Specifications are subject to change without notice. Fiberroad Technology Co., Ltd. makes no warranties, either expressed or implied, regarding the information contained herein. Please contact us for the latest product information.